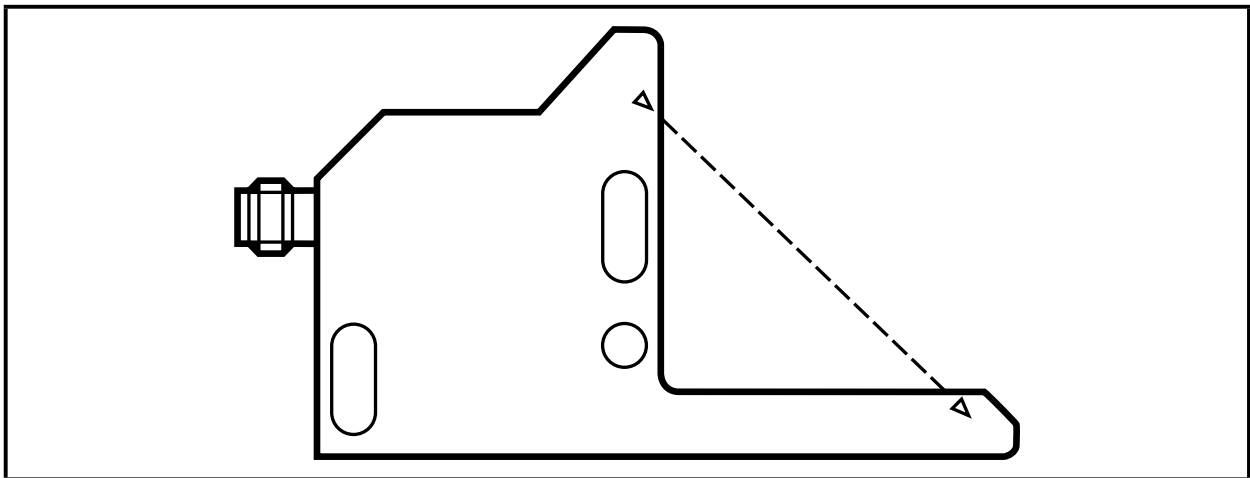


Optical fork sensors

1 Functions and features

The optical fork sensors detect objects and materials without contact and indicate their presence by a switching signal.

2 Mounting



3 Electrical connection

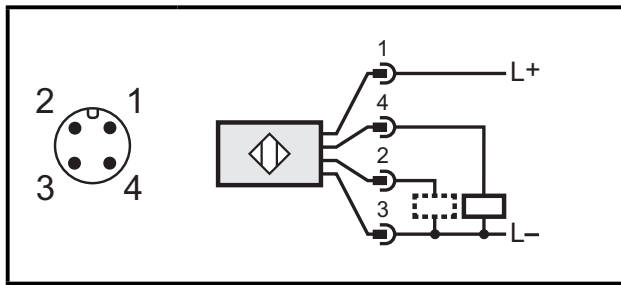


The following information is valid, if an UL Listingmark is applied on the product:

- ▶ For use in NFPA 79 applications only. Adapters providing field wiring means are available from the manufacturer. Refer to manufacturers information.
- ▶ The device shall be supplied from a class 2 rated power supply.

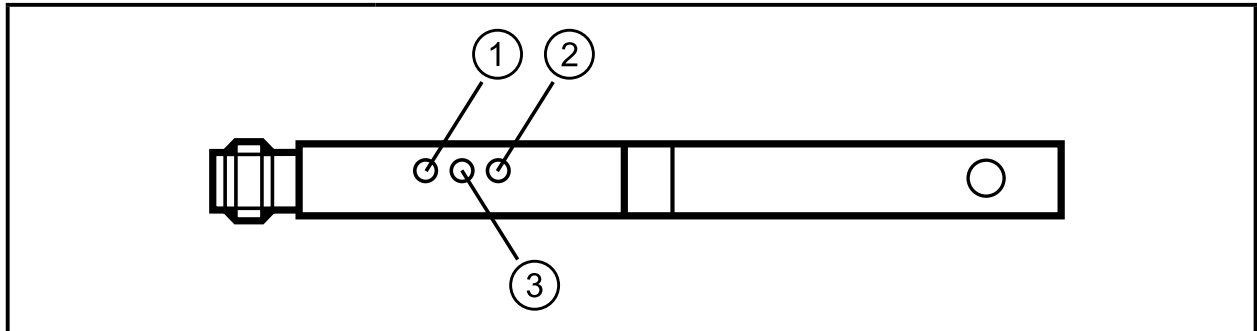


DC PNP



2: function check output

4 Operating and display elements



- 1: LED yellow function check
- 2: LED yellow switching status
- 3: LED green operation indication

5 Technical data

| | |
|----------------------------|--------------|
| Electrical design | DC PNP |
| Output | dark-on mode |
| Operating voltage [V] | 10...35 V DC |
| Current rating [mA] | 200 |
| Current consumption [mA] | < 45 |
| Operating temperature [°C] | -10...60 |
| Protection | IP 67, III |

